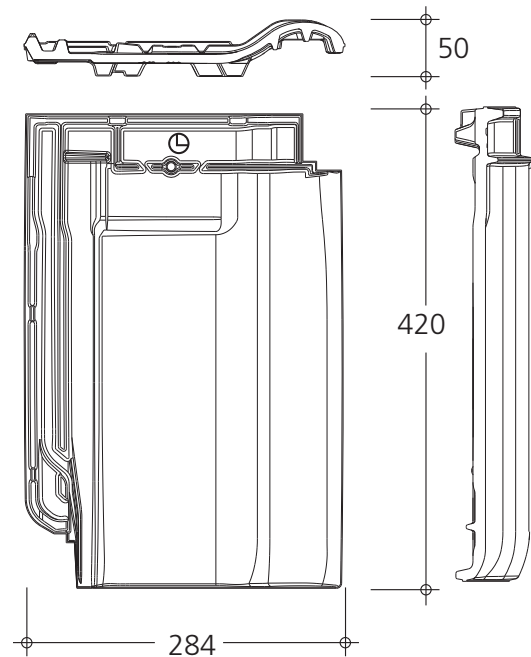


TIEFA XLTOP®

ECONOMIC, FLEXIBLE FLAT ROOF TILE

Dimensions: 420 x 284 x 50 mm
 Covering length: approx. 350 mm (approx. 340–360 mm)
 Covering width: approx. 230 mm
 Required: from approx. 12,2 pcs./m²
 Weight per pc./ per m²: approx. 3,7 kg / 44,8–47,4 kg
 Minimum roof pitch¹: 12°
 Standard roof pitch: 22°
 Package contents: 240 pcs. in 40 bundles of 6 on europallet



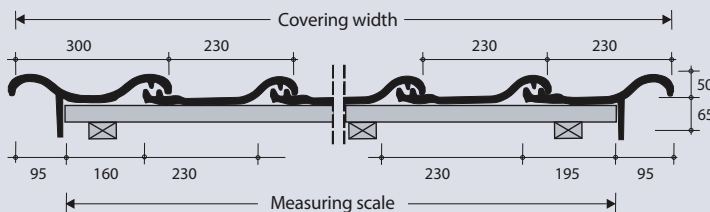
AVAILABLE COLOURS AND SURFACES

NATURAL ENGOBES: antique, red, rustique, xenon grey
SINTER ENGOBES: black, grey, copper red, brown, graphite black
BRILLIANT GLAZES: black, coral red, dark azure, malachite green
TREND GLAZES: satin black, satin grey

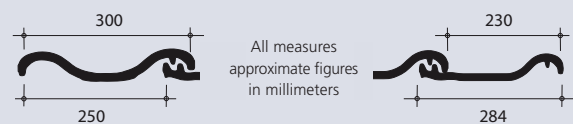
EVALUATION/SIZING OF THE COVERING WIDTH



A: Verge tile with interior baulk



B: Double brim tile

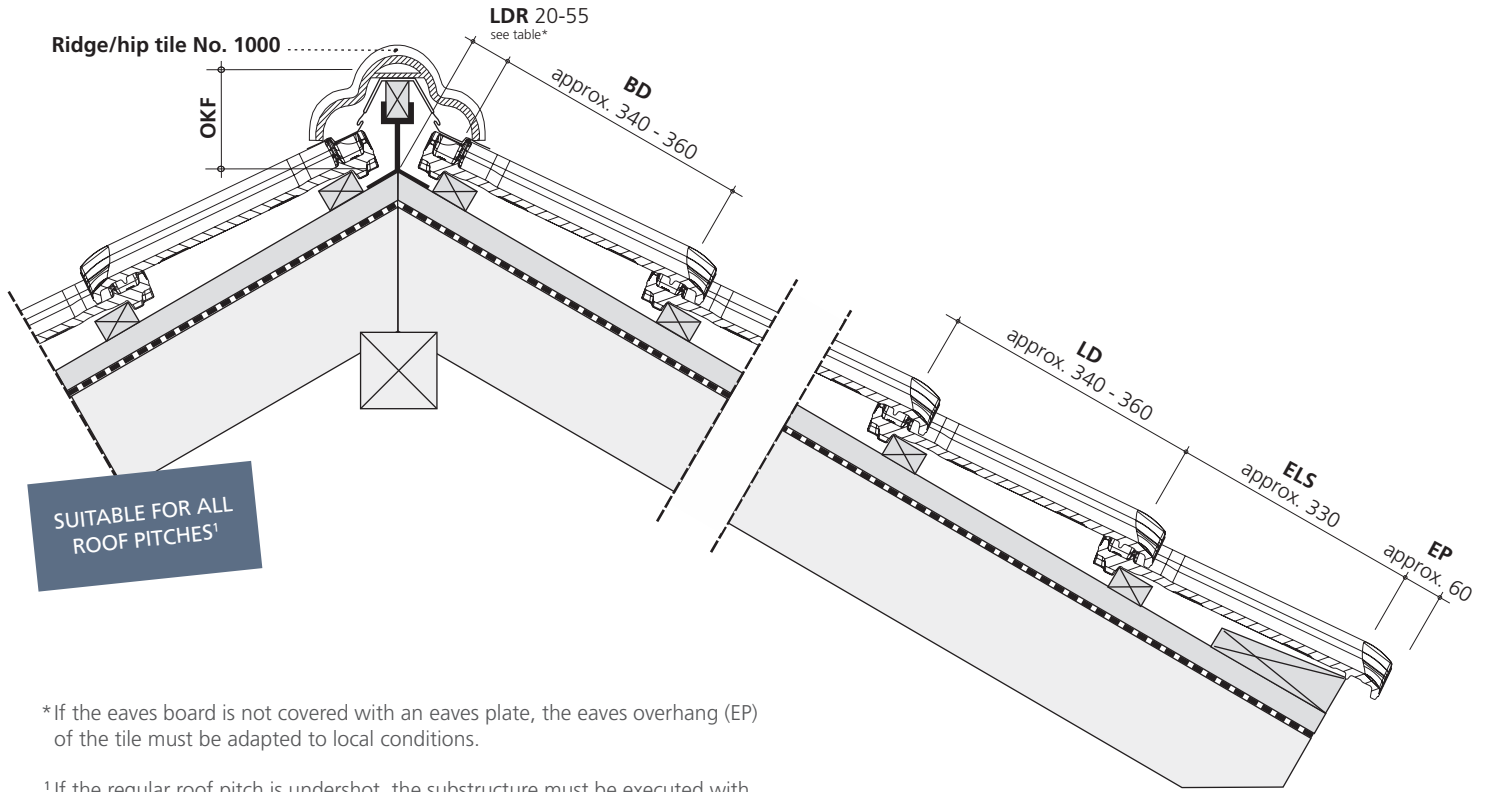


Tile clips for storm protection
 409-221 Clipholster® to batter in ZIAL
 456-205 Clipholster® to hang onto batten size 30 x 50 ZIAL
 456-213 Clipholster® for batten size 40 x 60 ZIAL

Average covering width in rows without respectively with roof tile in mm construction width = respective measuring scale

REIHEN		01	02	03	04	05	06	07	08	09	10	11	12	13	14	15
Roof tile (RT)		230	460	690	920	1.150	1.380	1.610	1.840	2.070	2.300	2.530	2.760	2.990	3.220	3.450
Double brim tile + RT	250 284	-	-	764	994	1.224	1.454	1.684	1.914	2.144	2.374	2.604	2.834	3.064	3.294	3.524
Verge tile l./r. (interior baulk) + RT	160 195	-	-	585	815	1.045	1.275	1.505	1.735	1.965	2.195	2.425	2.655	2.885	3.115	3.345

REIHEN		16	17	18	19	20	21	22	23	24	25	26	27	28	29	30
Roof tile (RT)		3.680	3.910	4.140	4.370	4.600	4.830	5.060	5.290	5.520	5.750	5.980	6.210	6.440	6.670	6.900
Double brim tile + RT		3.754	3.984	4.214	4.444	4.674	4.904	5.134	5.364	5.594	5.824	6.054	6.284	6.514	6.744	6.974
Verge tile l./r. (interior baulk) + RT		3.575	3.805	4.035	4.265	4.495	4.725	4.955	5.185	5.415	5.645	5.875	6.105	6.335	6.565	6.795



*If the eaves board is not covered with an eaves plate, the eaves overhang (EP) of the tile must be adapted to local conditions.

¹If the regular roof pitch is undershot, the substructure must be executed with increased requirements

EVALUATION/SIZING OF THE RAFTER LENGTH

Eaves overhang (EP) 60 mm: number of rows (according to chart) + lath distance eaves (ELS) + lath distance ridge (LDR)

Covering length

ROWS	01	02	03	04	05	06	07	08	09	10
COVER- ING LENGHT in mm	340	680	1.020	1.360	1.700	2.040	2.380	2.720	3.060	3.400
	350	700	1.050	1.400	1.750	2.100	2.450	2.800	3.150	3.500
	360	720	1.080	1.440	1.800	2.160	2.520	2.880	3.240	3.600
ROWS	11	12	13	14	15	16	17	18	19	20
COVER- ING LENGHT in mm	3.740	4.080	4.420	4.760	5.100	5.440	5.780	6.120	6.460	6.800
	3.850	4.200	4.550	4.900	5.250	5.600	5.950	6.300	6.650	7.000
	3.960	4.320	4.680	5.040	5.400	5.760	6.120	6.480	6.840	7.200
ROWS	21	22	23	24	25	26	27	28	29	30
COVER- ING LENGHT in mm	7.140	7.480	7.820	8.160	8.500	8.840	9.180	9.520	9.860	10.200
	7.350	7.700	8.050	8.400	8.750	9.100	9.450	9.800	10.150	10.500
	7.560	7.920	8.280	8.640	9.000	9.360	9.720	10.080	10.440	10.800

All values are determined with a 30 x 50 mm lathing. If other slat cross sections are used, than these must be checked at the construction site beforehand!

The accurate lath spacing has to be determined at the building site with the delivered tiles.

Lath distance ridge (LDR)

Using roof tiles				
Roof pitch	20°	30°	40°	50°
Ridge No. 1000	55 mm	50 mm	40 mm	29 mm
Ridge No. 300	55 mm	45 mm	35 mm	20 mm

Further available fitting tiles

Term	Covering width/Measuring scale
Half tile	115 mm
Ventilation tile, ventilation approx. 18 cm²	230 mm
Vent pipe/antenna opening tile	230 mm
Solar connection tile, admission max. 65 mm Ø	230 mm
Shed roof tile 90°, side length 220/100 mm	230 mm
Shed roof verge tile left	300 mm / 160 mm
Shed roof verge tile right	230 mm / 195 mm
Ridge inlay	

Distance from ridge vertex / Top of ridge lath (OKF):

Using roof tiles				
Roof pitch	20°	30°	40°	50°
Ridge No. 1000	150 mm	130 mm	120 mm	105 mm
Ridge No. 300	140 mm	130 mm	120 mm	105 mm

Shed roof tiles with different slopes and measures, mansard tiles etc. on request.
For ridge / hip tile and accessories, see pages 16–19