

# RHEINLANDVARIABEL

## CLASSIC, TIMELESS REFORM TILE

Dimension: 415 x 245 x 35 mm

Covering length: approx. 340 mm (approx. 330–350 mm)

Covering width: approx. 200 mm

Required: from approx. 14,3 pcs./m<sup>2</sup>

Weight per pc./ per m<sup>2</sup>: approx. 3,7 kg / 52,9–56,2 kg

Minimum roof pitch<sup>1</sup>: 17°

Standard roof pitch: 25°

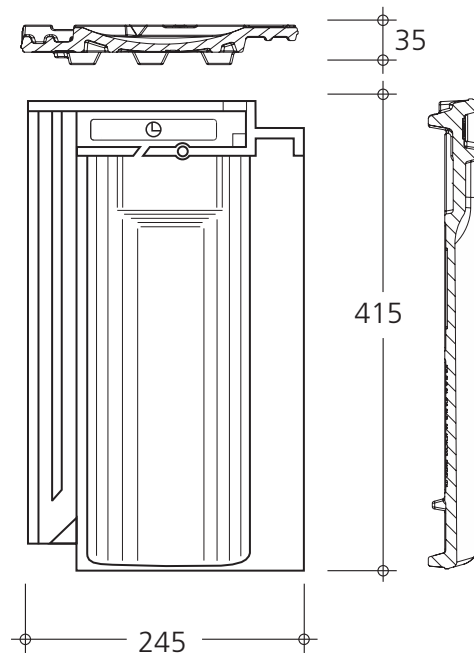
Package contents: 300 pcs. in 50 bundles of 6 on europallet

## AVAILABLE COLOURS AND SURFACES

NATURAL FIRING: natural red

NATURAL ENGOBES: red, antique, xenon-grey

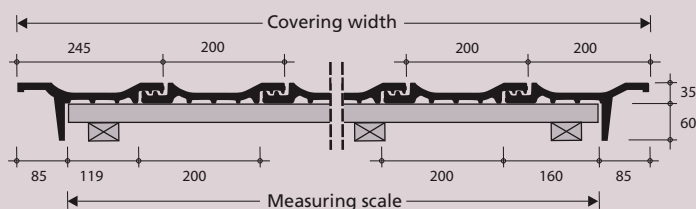
SINTER ENGOBES: grey



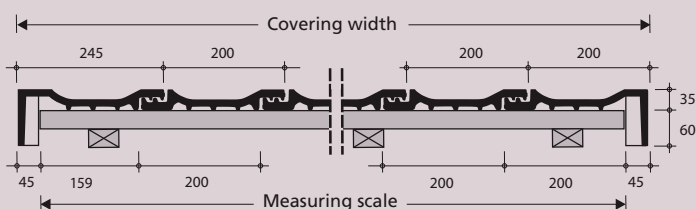
## EVALUATION/SIZING OF THE COVERING WIDTH



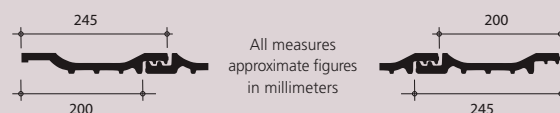
### A: Verge tile with interior baulk



### A: Verge tile with exterior baulk



### B: Double brim tile



### Tile clips for storm protection

409-214 Clipholster® to batter in ZIAL

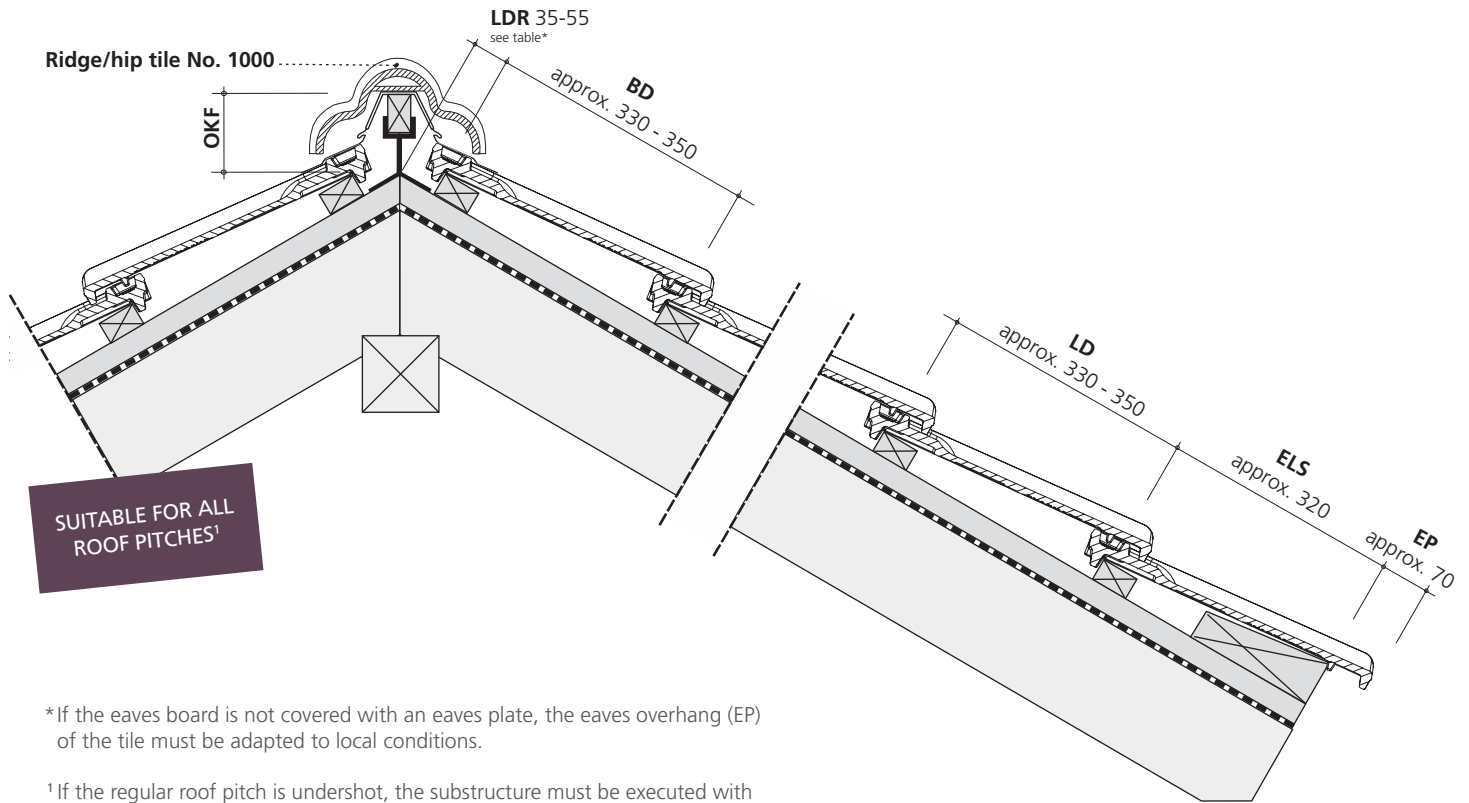
456-205 Clipholster® to hang onto batten size 30 x 50 ZIAL

456-213 Clipholster® for batten size 40 x 60 ZIAL

Average covering width in rows without respectively with roof tile in mm construction width = respective measuring scale

ROWS		01	02	03	04	05	06	07	08	09	10	11	12	13	14	15	
Roof tile (RT)		200	400	600	800	1.000	1.200	1.400	1.600	1.800	2.000	2.200	2.400	2.600	2.800	3.000	
Double brim tile + RT	200	245	-	-	645	845	1.045	1.245	1.445	1.645	1.845	2.045	2.245	2.445	2.645	2.845	3.045
Verge tile l./r. (interior baulk) + RT	119	160	-	-	479	679	879	1.079	1.279	1.479	1.679	1.879	2.079	2.279	2.479	2.679	2.879
Verge tile l./r. (exterior baulk) + RT	159	200	-	-	559	759	959	1.159	1.359	1.559	1.759	1.959	2.159	2.359	2.559	2.759	2.959

ROWS		16	17	18	19	20	21	22	23	24	25	26	27	28	29	30
Roof tile (RT)		3.200	3.400	3.600	3.800	4.000	4.200	4.400	4.600	4.800	5.000	5.200	5.400	5.600	5.800	6.000
Double brim tile + RT		3.245	3.445	3.645	3.845	4.045	4.245	4.445	4.645	4.845	5.045	5.245	5.445	5.645	5.845	6.045
Verge tile l./r. (interior baulk) + RT		3.079	3.279	3.479	3.679	3.879	4.079	4.279	4.479	4.679	4.879	5.079	5.279	5.479	5.679	5.879
Verge tile l./r. (exterior baulk) + RT		3.159	3.359	3.559	3.759	3.959	4.159	4.359	4.559	4.759	4.959	5.159	5.359	5.559	5.759	5.959



\* If the eaves board is not covered with an eaves plate, the eaves overhang (EP) of the tile must be adapted to local conditions.

1 If the regular roof pitch is undershot, the substructure must be executed with increased requirements

## EVALUATION/SIZING OF THE RAFTER LENGTH

Eaves overhang (EP) 70 mm: number of rows (according to chart) + lath distance eaves (ELS) + lath distance ridge (LDR)

### Covering length

ROWS	01	02	03	04	05	06	07	08	09	10
COVER- ING LENGHT in mm	330	660	990	1.320	1.650	1.980	2.310	2.640	2.970	3.300
	340	680	1.020	1.360	1.700	2.040	2.380	2.720	3.060	3.400
	350	700	1.050	1.400	1.750	2.100	2.450	2.800	3.150	3.500
ROWS	11	12	13	14	15	16	17	18	19	20
COVER- ING LENGHT in mm	3.630	3.960	4.290	4.620	4.950	5.280	5.610	5.940	6.270	6.600
	3.740	4.080	4.420	4.760	5.100	5.440	5.780	6.120	6.460	6.800
	3.850	4.200	4.550	4.900	5.250	5.600	5.950	6.300	6.650	7.000
ROWS	21	22	23	24	25	26	27	28	29	30
COVER- ING LENGHT in mm	6.930	7.260	7.590	7.920	8.250	8.580	8.910	9.240	9.570	9.900
	7.140	7.480	7.820	8.160	8.500	8.840	9.180	9.520	9.860	10.200
	7.350	7.700	8.050	8.400	8.750	9.100	9.450	9.800	10.150	10.500

All values are determined with a 30 x 50 mm lathing. If other slat cross sections are used, than these must be checked at the construction site beforehand!

The accurate lath spacing has to be determined at the building site with the delivered tiles.

### Lath distance ridge (LDR)

Using roof tiles				
Roof pitch	20°	30°	40°	50°
Ridge No. 1000	55 mm	50 mm	47 mm	33 mm
Ridge No. 300	45 mm	45 mm	40 mm	35 mm

### Further available fitting tiles

Term	Covering width/Measuring scale
Half tile	100 mm
Ventilation tile, ventilation approx. 15 cm <sup>2</sup>	200 mm
Vent pipe/antenna opening tile	200 mm
Solar connection tile, admission max. 65 mm Ø	200 mm
Shed roof tile 90°, side length 220/100 mm	200 mm
Shed roof verge tile left, interior baulk	245 mm / 119 mm
Shed roof verge tile right, interior baulk	200 mm / 160 mm

### Distance from idge vertex / Top of ridge lath (OKF):

Using roof tiles				
Roof pitch	20°	30°	40°	50°
Ridge No. 1000	130 mm	110 mm	90 mm	80 mm
Ridge No. 300	125 mm	113 mm	98 mm	80 mm

Shed roof tiles with different slopes and measures, mansard tiles etc. on request.  
For ridge / hip tile and accessories, see pages 16–19