

IDEALVARIABEL

DYNAMIC, ELEGANT HOLLOW INTERLOCKING TILE

Dimensions: 415 x 250 x 55 mm

Covering length: approx. 339 mm (approx. 332–347 mm)

Covering width: approx. 204 mm

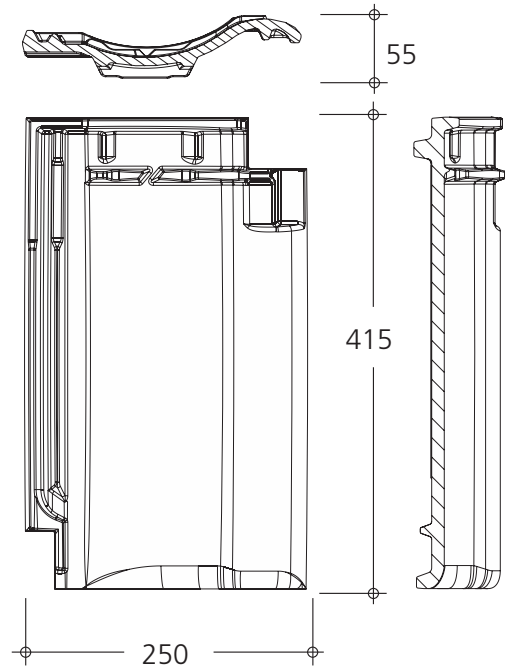
Required: from approx. 14,2 pcs./m²

Weight per pc./ per m²: approx. 3,4 kg / 47,9–50,3 kg

Minimum roof pitch¹: 14°

Standard roof pitch: 22°

Package contents: 280 pcs. in 40 bundles of 7 on europallet



AVAILABLE COLOURS AND SURFACES

NATURAL FIRING: natural red

NATURAL ENGOBES: antique, red, xenon grey

SINTER ENGOBES: black, graphite black

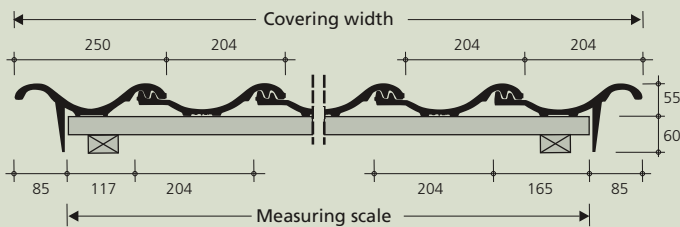
BRILLIANT GLAZES: black, dark azure, ochre brown, malachite green

TREND GLAZES: satin black, satin grey

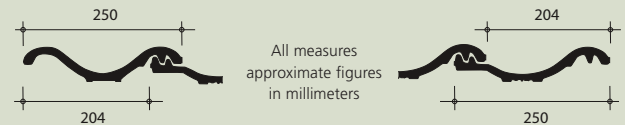
EVALUATION/SIZING OF THE COVERING WIDTH



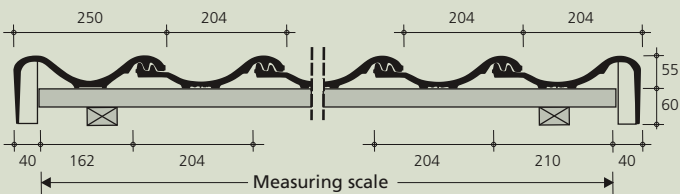
A: Verge tile with interior baulk



B: Double brim tile



C: Verge tile with exterior baulk



Tile clips for storm protection

409-221 Clipholster® to batter in ZIAL

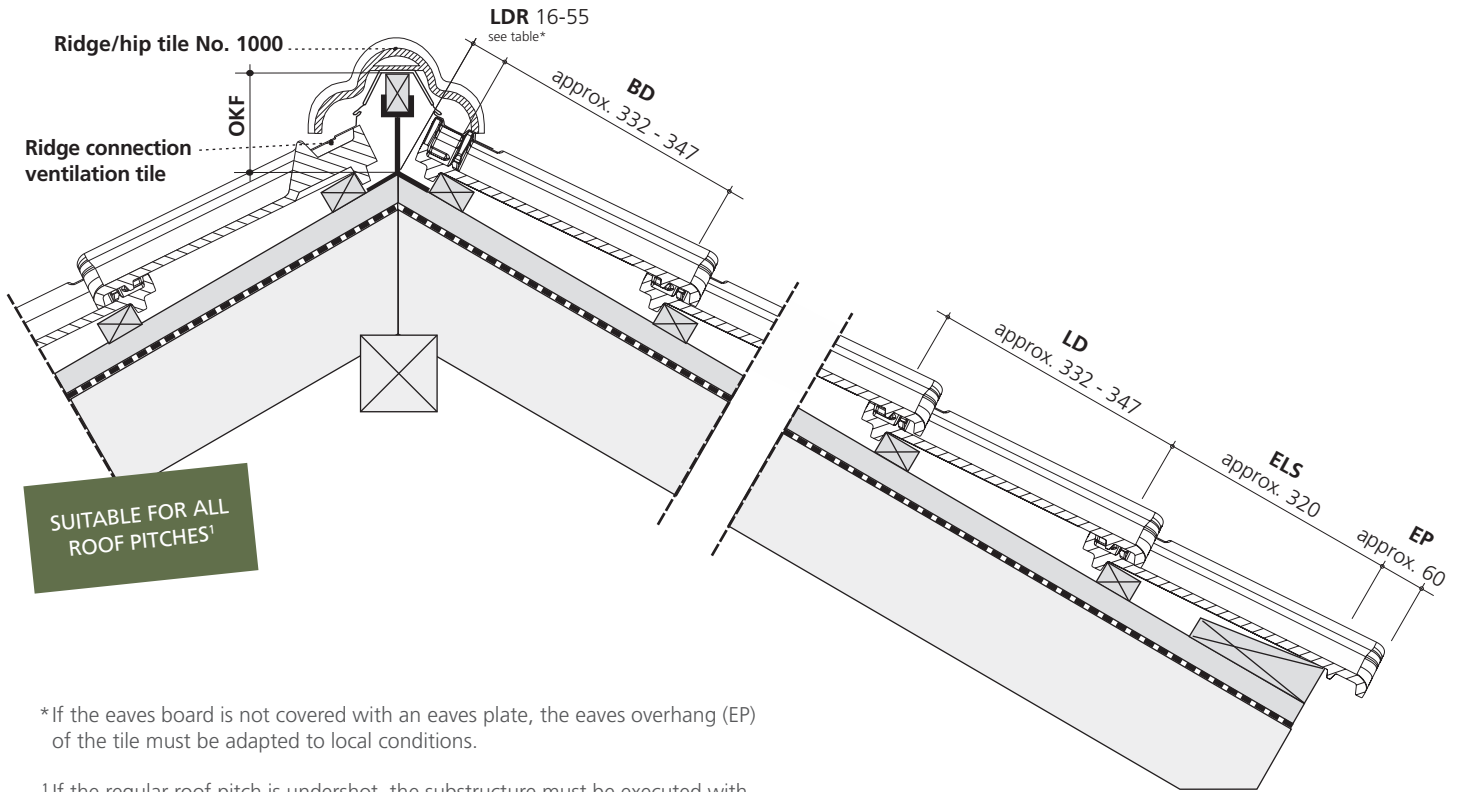
456-207 Clipholster® to hang onto batten size 30 x 50 mm ZIAL

456-015 for batten size 40 x 60 mm ZIAL

Average covering width in rows without respectively with roof tile in mm construction width = respective measuring scale

ROWS		01	02	03	04	05	06	07	08	09	10	11	12	13	14	15	
Roof tile (RT)		204	408	612	816	1.020	1.224	1.428	1.632	1.836	2.040	2.244	2.448	2.652	2.856	3.060	
Double brim tile + RT	204	250	-	-	658	862	1.066	1.270	1.474	1.678	1.882	2.086	2.290	2.494	2.698	2.902	3.106
Verge tile l./r. (interior baulk) + RT	117	165	-	-	486	690	894	1.098	1.302	1.506	1.710	1.914	2.118	2.322	2.526	2.730	2.934
Verge tile l./r. (exterior baulk) + RT	162	210	-	-	576	780	984	1.188	1.392	1.596	1.800	2.004	2.208	2.412	2.616	2.820	3.024

ROWS		16	17	18	19	20	21	22	23	24	25	26	27	28	29	30
Roof tile (RT)		3.264	3.468	3.672	3.876	4.080	4.284	4.488	4.692	4.896	5.100	5.304	5.508	5.712	5.916	6.120
Double brim tile + RT		3.310	3.514	3.718	3.922	4.126	4.330	4.534	4.738	4.942	5.146	5.350	5.554	5.758	5.962	6.166
Verge tile l./r. (interior baulk) + RT		3.138	3.342	3.546	3.750	3.954	4.158	4.362	4.566	4.770	4.974	5.178	5.382	5.586	5.790	5.994
Verge tile l./r. (exterior baulk) + RT		3.228	3.432	3.636	3.840	4.044	4.248	4.452	4.656	4.860	5.064	5.268	5.472	5.676	5.880	6.084



* If the eaves board is not covered with an eaves plate, the eaves overhang (EP) of the tile must be adapted to local conditions.

1 If the regular roof pitch is undershot, the substructure must be executed with increased requirements

EVALUATION/SIZING OF THE RAFTER LENGTH

Eaves overhang (EP) 60 mm: number of rows (according to chart) + lath distance eaves (ELS) + lath distance ridge (LDR)

Covering length

ROWS	01	02	03	04	05	06	07	08	09	10
COVER- ING LENGHT in mm	332	664	996	1.328	1.660	1.992	2.324	2.656	2.988	3.320
	340	680	1.020	1.360	1.700	2.040	2.380	2.720	3.060	3.400
	347	694	1.041	1.388	1.735	2.082	2.429	2.776	3.060	3.470
	11	12	13	14	15	16	17	18	19	20
COVER- ING LENGHT in mm	3.652	3.984	4.316	4.648	4.980	5.312	5.644	5.976	6.308	6.640
	3.740	4.080	4.420	4.760	5.100	5.440	5.780	6.120	6.460	6.800
	3.817	4.164	4.511	4.858	5.205	5.552	5.899	6.246	6.593	6.940
ROWS	21	22	23	24	25	26	27	28	29	30
COVER- ING LENGHT in mm	6.972	7.304	7.304	7.968	8.300	8.632	8.964	9.296	9.628	9.960
	7.140	7.480	7.480	8.160	8.500	8.840	9.180	9.520	9.860	10.200
	7.287	7.634	7.634	8.328	8.675	9.022	9.369	9.716	10.063	10.410

Further available fitting tiles

Term	Covering width/Measuring scale
Ventilation tile, ventilation approx. 15 cm ²	204 mm
Vent pipe/antenna opening tile	204 mm
Solar connection tile, admission max. 65 mm Ø	204 mm
Unter-ridge ventilation tile	204 mm
Unter-ridge ventilation verge tile left, interior baulk	117 mm
Unter-ridge ventilation verge tile right, interior baulk	165 mm
Shed roof tile 90°, side length 220/100 mm	204 mm
Shed roof verge tile left, interior baulk	250 mm / 117 mm
Shed roof verge tile right, interior baulk	204 mm / 165 mm

Shed roof tiles with different slopes and measures, mansard tiles etc. on request.
For ridge / hip tile and accessories, see pages 16–19

All values are determined with a 30 x 50 mm lathing. If other slat cross sections are used, than these must be checked at the construction site beforehand!

The accurate lath spacing has to be determined at the building site with the delivered tiles.

Lath distance ridge (LDR)

Using roof tiles				
Roof pitch	20°	30°	40°	50°
Ridge No. 1000	55 mm	45 mm	25 mm	20 mm
Ridge No. 300	55 mm	30 mm	25 mm	16 mm
Using ridge inlay				
Roof pitch	20°	30°	40°	50°
Ridge No. 1000	70 mm	45 mm	45 mm	20 mm
Ridge No. 300	40 mm	45 mm	33 mm	25 mm

Distance from idge vertex / Top of ridge lath (OKF):

Using roof tiles				
Roof pitch	20°	30°	40°	50°
Ridge No. 1000	150 mm	140 mm	125 mm	115 mm
Ridge No. 300	150mm	130 mm	125 mm	110 mm
Using ridge inlay				
Roof pitch	20°	30°	40°	50°
Ridge No. 1000	145 mm	130 mm	125 mm	120 mm
Ridge No. 300	145 mm	130 mm	125 mm	120 mm