

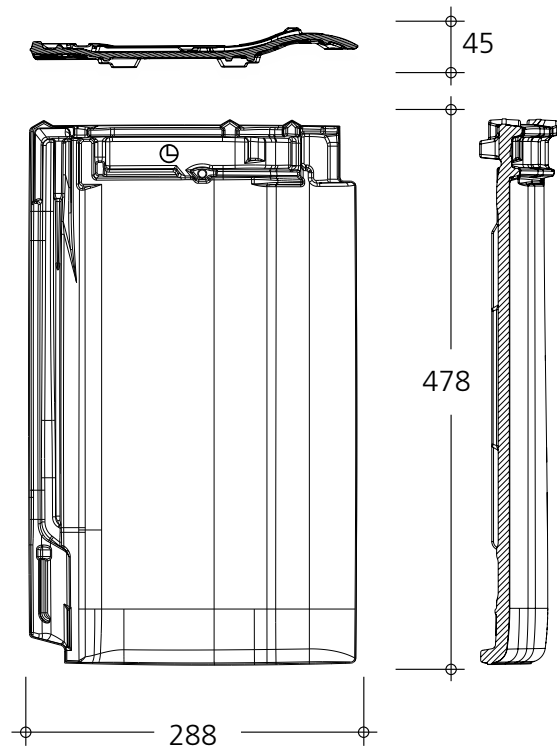
TIEFASUPRA®

FACTUAL, LARGE FORMAT FLAT ROOF TILE

Dimensions: 478 x 288 x 45 mm
 Covering length: approx. 400 mm (approx. 390–410 mm)
 Covering width: approx. 240 mm
 Required: from approx. 10 pcs./m²
 Weight per pc./ per m²: approx. 4,3 kg / 43,9–46,0 kg
 Minimum roof pitch¹: 10°
 Standard roof pitch: 22°
 Package contents: 280 pcs. in 56 bundles of 5 on europallet

AVAILABLE COLOURS AND SURFACES

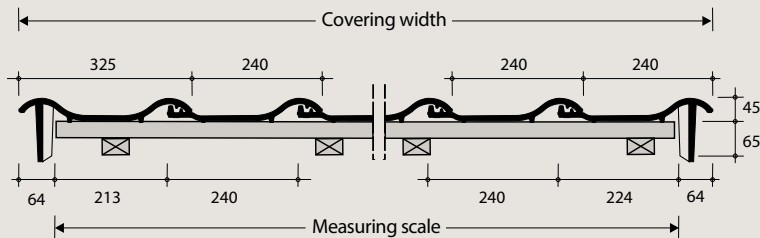
NATURAL ENGOBES: antique, red, xenon grey,
 SINTER ENGOBES: black, graphite black



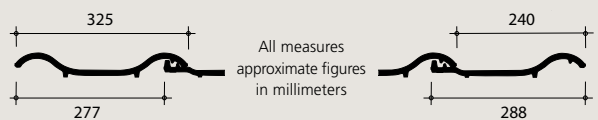
EVALUATION/SIZING OF THE COVERING WIDTH



A: Verge tile



B: Double brim tile



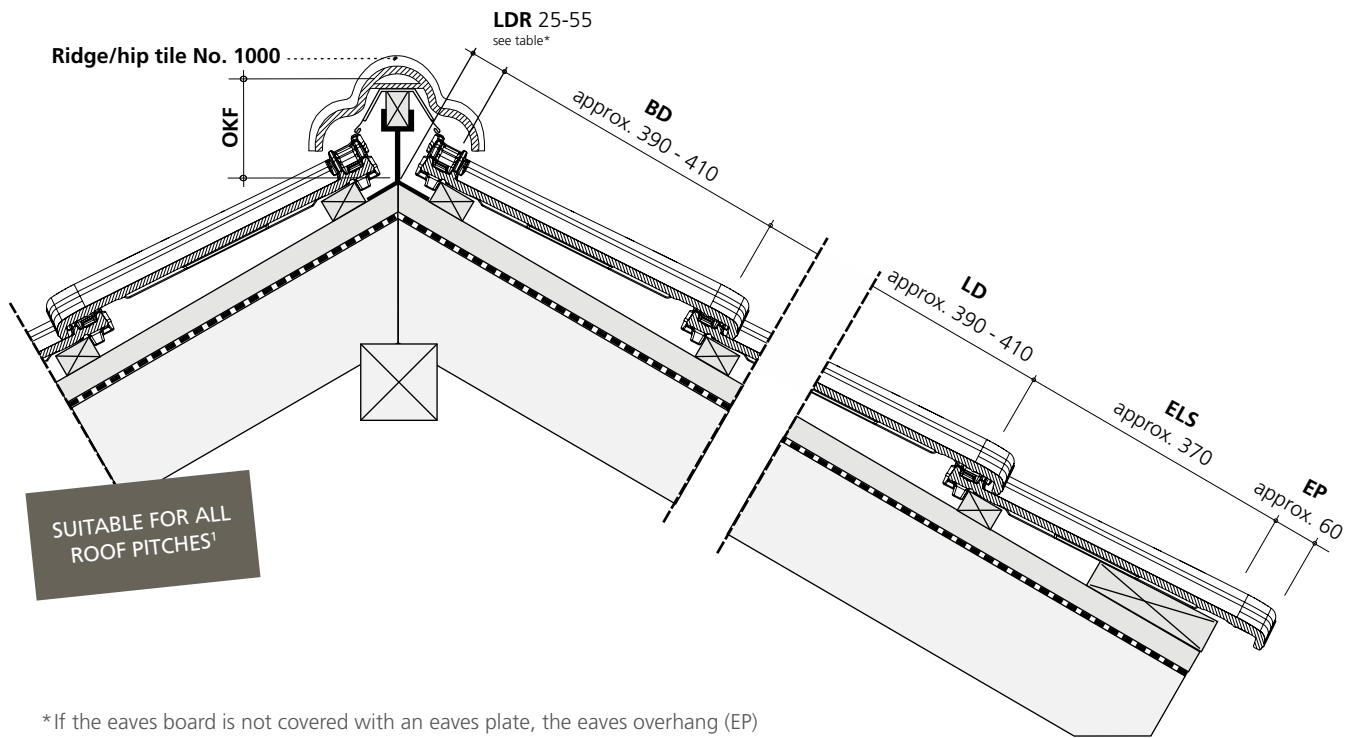
Tile clips for storm protection

409-221 Clipholster® to batter in ZIAL
 456-205 Clipholster® to hang onto batten size 30 x 50 ZIAL
 456-213 Clipholster® for batten size 40 x 60 ZIAL

Average covering width in rows without respectively with roof tile in mm construction width = respective measuring scale

ROWS		01	02	03	04	05	06	07	08	09	10	11	12	13	14	15
Roof tile (RT)		240	480	720	960	1.200	1.440	1.680	1.920	2.160	2.400	2.640	2.880	3.120	3.360	3.600
Double brim tile + RT	277 288	-	-	805	1.045	1.285	1.525	1.765	2.005	2.245	2.485	2.725	2.965	3.205	3.445	3.685
Verge tile l./r. (interior baulk) + RT	213 224	-	-	677	917	1.157	1.397	1.637	1.877	2.117	2.357	2.597	2.837	3.077	3.317	3.557

ROWS		16	17	18	19	20	21	22	23	24	25	26	27	28	29	30
Roof tile (RT)		3.840	4.080	4.320	4.560	4.800	5.040	5.280	5.520	5.760	6.000	6.240	6.480	6.720	6.960	7.200
Double brim tile + RT		3.925	4.165	4.405	4.645	4.885	5.125	5.365	5.605	5.845	6.085	6.325	6.565	6.805	7.045	7.285
Verge tile l./r. (interior baulk) + RT		3.797	4.037	4.277	4.517	4.757	4.997	5.237	5.477	5.717	5.957	6.197	6.437	6.677	6.917	7.157



*If the eaves board is not covered with an eaves plate, the eaves overhang (EP) of the tile must be adapted to local conditions.

¹If the regular roof pitch is undershot, the substructure must be executed with increased requirements.

EVALUATION/SIZING OF THE RAFTER LENGTH

Eaves overhang (EP) 60 mm: number of rows (according to chart) + lath distance eaves (ELS) + lath distance ridge (LDR)

Covering length

ROWS	01	02	03	04	05	06	07	08	09	10
COVER- ING LENGHT in mm	390	780	1.170	1.560	1.950	2.340	2.730	3.120	3.510	3.900
	400	800	1.200	1.600	2.000	2.400	2.800	3.200	3.600	4.000
	410	820	1.230	1.640	2.050	2.460	2.870	3.280	3.690	4.100
ROWS	11	12	13	14	15	16	17	18	19	20
COVER- ING LENGHT in mm	4.290	4.680	5.070	5.460	5.850	6.240	6.630	7.020	7.410	7.800
	4.400	4.800	5.200	5.600	6.000	6.400	6.800	7.200	7.600	8.000
	4.510	4.920	5.330	5.740	6.150	6.560	6.970	7.380	7.790	8.200
ROWS	21	22	23	24	25	26	27	28	29	30
COVER- ING LENGHT in mm	8.190	8.580	8.970	9.360	9.750	10.140	10.530	10.920	11.310	11.700
	8.400	8.800	9.200	9.600	10.000	10.400	10.800	11.200	11.600	12.000
	8.610	9.020	9.430	9.840	10.250	10.660	11.070	11.480	11.890	12.300

All values are determined with a 30 x 50 mm lathing. If other slat cross sections are used, than these must be checked at the construction site beforehand!

The accurate lath spacing has to be determined at the building site with the delivered tiles.

Lath distance ridge (LDR)

Using roof tiles				
Roof pitch	20°	30°	40°	50°
Ridge No. 1000	55 mm	45 mm	40 mm	35 mm
Ridge No. 300	45 mm	45 mm	30 mm	25 mm

Further available fitting tiles

Term	Covering width/Measuring scale
Half tile	121 mm
Ventilation tile, ventilation approx. 22 cm ²	240 mm
Vent pipe/antenna opening tile	240 mm
Solar connection tile, admission max. 65 mm Ø	240 mm
Shed roof tile 90°, side length 220/100 mm	240 mm
Shed roof verge tile left	325 mm / 213 mm
Shed roof verge tile right	240 mm / 224 mm

Distance from idge vertex / Top of ridge lath (OKF):

Using roof tiles				
Roof pitch	20°	30°	40°	50°
Ridge No. 1000	135 mm	115 mm	105 mm	90 mm
Ridge No. 300	135 mm	115 mm	110 mm	97 mm

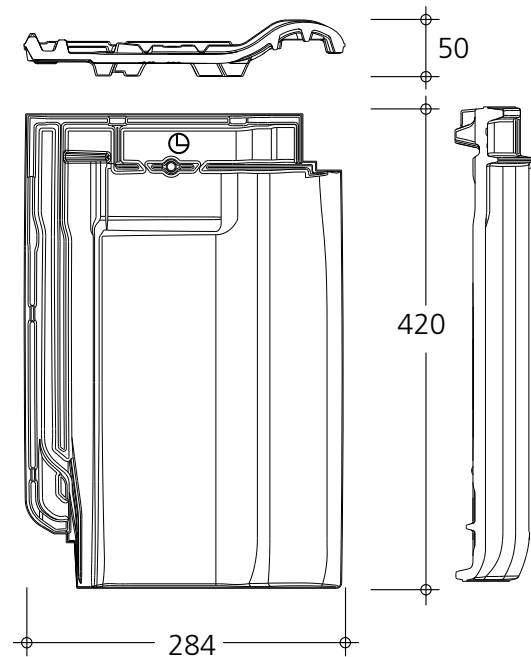
Shed roof tiles with different slopes and measures, mansard tiles etc. on request.

For ridge / hip tile and accessories, see pages 16–19

TIEFA XLTOP®

ECONOMIC, FLEXIBLE FLAT ROOF TILE

Dimensions: 420 x 284 x 50 mm
 Covering length: approx. 350 mm (approx. 340–360 mm)
 Covering width: approx. 230 mm
 Required: from approx. 12,2 pcs./m²
 Weight per pc./ per m²: approx. 3,7 kg / 44,8–47,4 kg
 Minimum roof pitch¹: 12°
 Standard roof pitch: 22°
 Package contents: 240 pcs. in 40 bundles of 6 on europallet



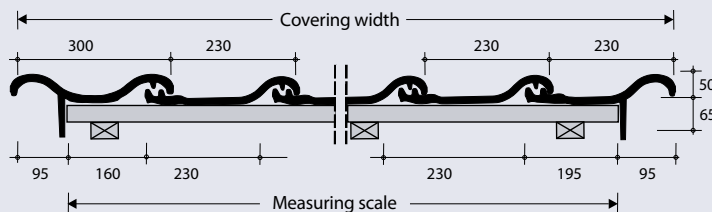
AVAILABLE COLOURS AND SURFACES

NATURAL ENGOBES: antique, red, rustique, xenon grey
SINTER ENGOBES: black, grey, copper red, brown
BRILLIANT GLAZES: black, coral red, dark azure, malachite green
TREND GLAZES: satin black, satin grey

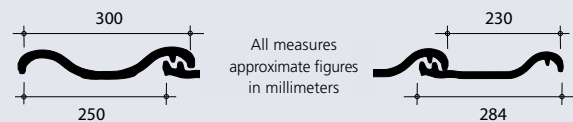
EVALUATION/SIZING OF THE COVERING WIDTH



A: Verge tile with interior baulk



B: Double brim tile



Tile clips for storm protection

409-221 Clipholster® to batter in ZIAL
 456-205 Clipholster® to hang onto batten size 30 x 50 ZIAL
 456-213 Clipholster® for batten size 40 x 60 ZIAL

Average covering width in rows without respectively with rooftile in mm construction width = respective measuring scale

REIHEN		01	02	03	04	05	06	07	08	09	10	11	12	13	14	15
Rooftile (RT)		230	460	690	920	1.150	1.380	1.610	1.840	2.070	2.300	2.530	2.760	2.990	3.220	3.450
Double brim tile + RT	250 284	-	-	764	994	1.224	1.454	1.684	1.914	2.144	2.374	2.604	2.834	3.064	3.294	3.524
Verge tile l./r. (interior baulk) + RT	160 195	-	-	585	815	1.045	1.275	1.505	1.735	1.965	2.195	2.425	2.655	2.885	3.115	3.345

REIHEN		16	17	18	19	20	21	22	23	24	25	26	27	28	29	30
Rooftile (RT)		3.680	3.910	4.140	4.370	4.600	4.830	5.060	5.290	5.520	5.750	5.980	6.210	6.440	6.670	6.900
Double brim tile + RT		3.754	3.984	4.214	4.444	4.674	4.904	5.134	5.364	5.594	5.824	6.054	6.284	6.514	6.744	6.974
Verge tile l./r. (interior baulk) + RT		3.575	3.805	4.035	4.265	4.495	4.725	4.955	5.185	5.415	5.645	5.875	6.105	6.335	6.565	6.795