

HOHLPFANNE

TRADITIONAL, DISTINCTIVE HOLLOW TILE

LONGCUT (LC)
for fore-cut coverage

Dimension:

405 x 247 x 65 mm

Covering length:

approx. 330 mm

Covering width:

approx. 220 mm

Required:

from approx. 13,8 pcs./m²

Weight per pc./ per m²:

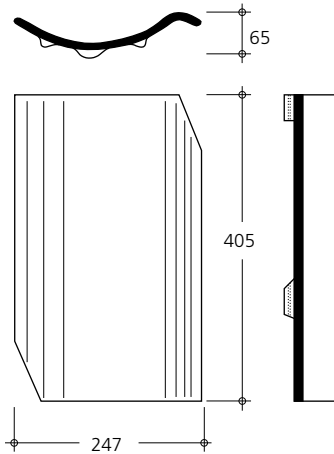
approx. 2,9 kg / approx. 40 kg

Minimum roof pitch¹: 30°

Standard roof pitch: 40°

Package contents:

252 pcs. in 42 bundles of 6 on europallet



AVAILABLE COLOURS

NATURAL FIRING: natural red, subdued grey, brown, yellow, red coloured, subdued coloured

TRADITIONAL, DISTINCTIVE HOLLOW TILE

SHORTCUT (SC)
for cut coverage

Dimension:

414 x 247 x 65 mm

Covering length:

approx. 325 mm

(approx. 315-335 mm depending on the roof pitch)

Covering width:

approx. 220 mm

Required:

from approx. 13,6 pcs./m²

Weight per pc./ per m²:

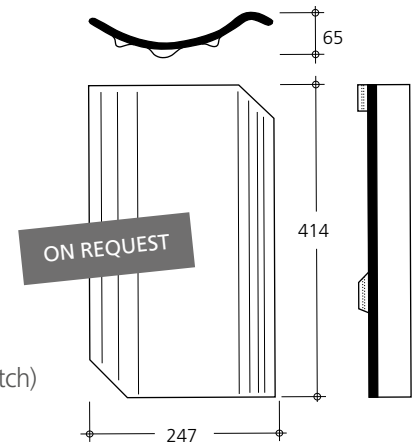
approx. 2,9 kg / 39,4–41,8 kg

Minimum roof pitch¹: 25°

Standard roof pitch: 35°

Package contents:

252 pcs. in 42 bundles of 6 on europallet



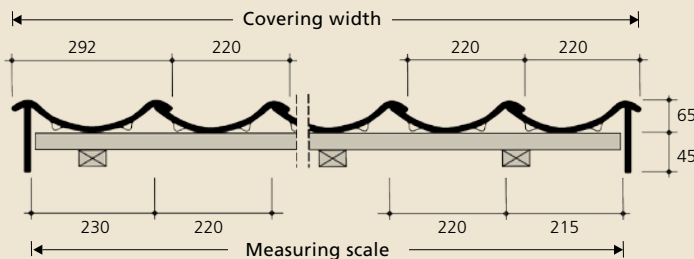
AVAILABLE COLOURS

NATUR-BRAND: naturrot

EVALUATION/SIZING OF THE COVERING WIDTH



A: Side finish with baulk



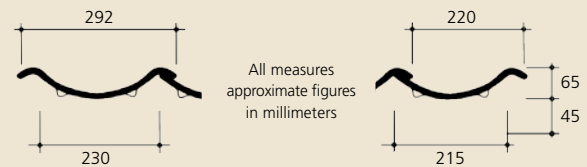
Fore-cut coverage (Longcut)



Cut coverage (Shortcut)



B: Double brim tile



Tile clips for storm protection

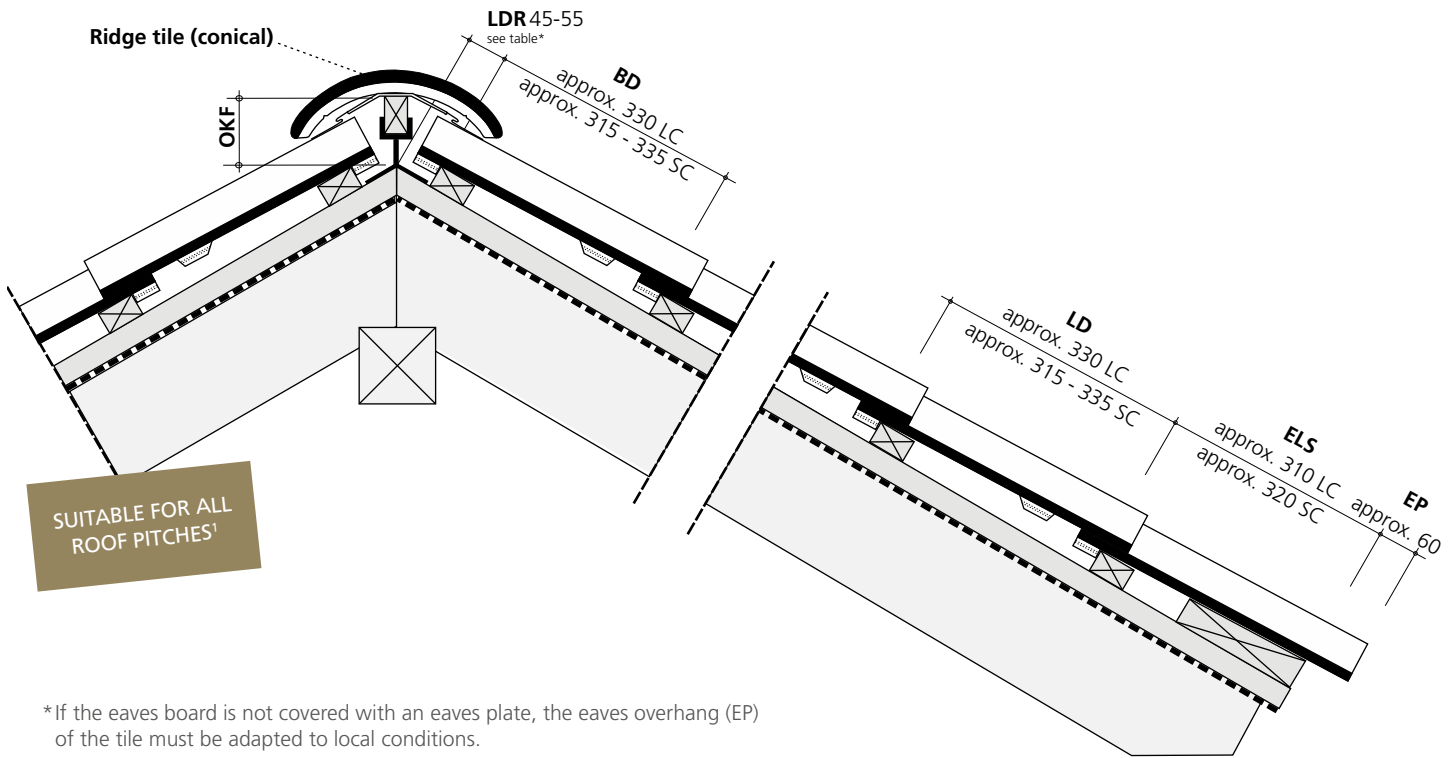
No. 428 b / 1 to hang onto batten size 30 x 50 mm

No. 428 b / 2 to hang onto batten size 40 x 60 mm

Average covering width in rows without respectively with rooftile in mm construction width = respective measuring scale

REIHEN		01	02	03	04	05	06	07	08	09	10	11	12	13	14	15
Rooftile (RT)		220	440	660	880	1.100	1.320	1.540	1.760	1.980	2.200	2.420	2.640	2.860	3.080	3.300
Double brim tile + RT	230 215	-	-	665	885	1.105	1.325	1.545	1.765	1.985	2.205	2.425	2.645	2.865	3.085	3.305
Side finish with baulk li/r. + RT	230 215	-	-	665	885	1.105	1.325	1.545	1.765	1.985	2.205	2.425	2.645	2.865	3.085	3.305

REIHEN		16	17	18	19	20	21	22	23	24	25	26	27	28	29	30
Rooftile (RT)		3.520	3.740	3.960	4.180	4.400	4.620	4.840	5.060	5.280	5.500	5.720	5.940	6.160	6.380	6.600
Double brim tile + RT		3.525	3.745	3.965	4.185	4.405	4.625	4.845	5.065	5.285	5.505	5.725	5.945	6.165	6.385	6.605
Side finish with baulk li/r. + RT		3.525	3.745	3.965	4.185	4.405	4.625	4.845	5.065	5.285	5.505	5.725	5.945	6.165	6.385	6.605



*If the eaves board is not covered with an eaves plate, the eaves overhang (EP) of the tile must be adapted to local conditions.

¹If the regular roof pitch is undershot, the substructure must be executed with increased requirements.

EVALUATION/SIZING OF THE RAFTER LENGTH

Eaves overhang (EP) 60 mm: number of rows (according to chart) + lath distance eaves (ELS) + lath distance ridge (LDR)

Covering length

ROWS		01	02	03	04	05	06	07	08	09	10
COVER- ING LENGHT in mm (LD)	LS	330	660	900	1.320	1.650	1.980	2.310	2.640	2.970	3.300
	KS ≤40°	315	630	945	1.260	1.575	1.890	2.205	2.520	2.835	3.150
	KS >40°	325	650	975	1.300	1.625	1.950	2.275	2.600	2.925	3.250
	KS >45°	335	670	1.005	1.340	1.675	2.010	2.345	2.680	3.015	3.350
ROWS		11	12	13	14	15	16	17	18	19	20
COVER- ING LENGHT in mm (LD)	LS	3.630	3.960	4.290	4.620	4.950	5.280	5.610	5.940	6.270	6.600
	KS ≤40°	3.465	3.780	4.095	4.410	4.725	5.040	5.355	5.670	5.985	6.300
	KS >40°	3.575	3.900	4.225	4.550	4.875	5.200	5.525	5.850	6.175	6.500
	KS >45°	3.685	4.020	4.355	4.690	5.025	5.360	5.695	6.030	6.365	6.700
ROWS		21	22	23	24	25	26	27	28	29	30
COVER- ING LENGHT in mm (LD)	LS	6.930	7.260	7.590	7.920	8.250	8.580	8.910	9.240	9.570	9.900
	KS ≤40°	6.615	6.930	7.245	7.560	7.875	8.190	8.505	8.820	9.135	9.450
	KS >40°	6.825	7.150	7.475	7.800	8.125	8.450	8.775	9.100	9.425	9.750
	KS >45°	7.035	7.370	7.705	8.040	8.375	8.710	9.045	9.380	9.715	10.050

All values are determined with a 30 x 50 mm lathing. If other slat cross sections are used, than these must be checked at the construction site beforehand!

The accurate lath spacing has to be determined at the building site with the delivered tiles.

Lath distance ridge (LDR)

Roof pitch	20°	30°	40°	50°
Ridge tile (conical)	55 mm	50 mm	50 mm	45 mm

Distance from idge vertex / Top of ridge lath (OKF):

Roof pitch	20°	30°	40°	50°
Ridge tile (conical)	145 mm	130 mm	120 mm	105 mm

Further available fitting tiles

Term	Covering width/Measuring scale
Double brim tile	292 mm
Ventilation tile, ventilation approx. 60 cm²	220 mm
Vent pipe/antenna opening tile	220 mm

For ridge / hip tile and accessories, see pages 16–19