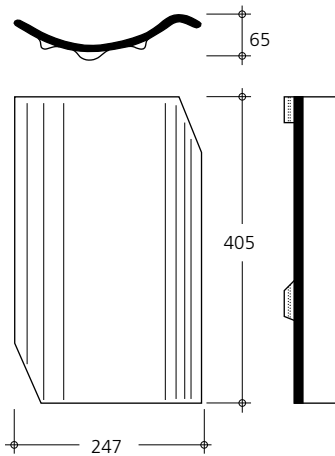


HOHLPFANNE

TRADITIONAL HOLLOW TILE

LONGCUT (LC)
for fore-cut coverage

Dimension:
405 x 247 x 65 mm
Covering length:
approx. 330 mm
Covering width:
approx. 220 mm
Required:
from approx. 13,8 pcs./m²
Weight per pc.:
approx. 2,9 kg
Minimum roof pitch: 30°
Standard roof pitch: 40°
Package contents:
252 pcs. in bundles of 7
on europallet



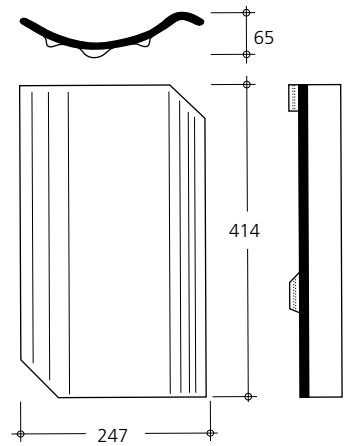
AVAILABLE COLOURS

NATURAL FIRING: natural red, subdued grey, brown, yellow, red coloured, subdued coloured

TRADITIONAL HOLLOW TILE

SHORTCUT (SC)
for cut coverage

Dimension:
414 x 247 x 65 mm
Covering length:
approx. 325 mm
(approx. 315-335 mm depending on the roof pitch)
Covering width:
approx. 220 mm
Required:
from approx. 13,6 pcs./m²
Weight per pc.:
approx. 2,9 kg
Minimum roof pitch: 25°
Standard roof pitch: 35°
Package contents:
252 pcs. in bundles of 7
on europallet

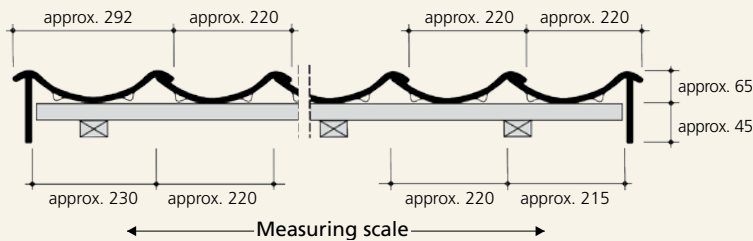


AVAILABLE COLOURS

NATUR-BRAND: naturrot

EVALUATION/SIZING OF THE COVERING WIDTH:

Number of rows (according to chart) + side finish left and right oder double brim tile



All figures in millimeters.



A: Side finish with baulk

B: Double brim tile

Fore-cut coverage (Longcut)



Cut coverage (Shortcut)

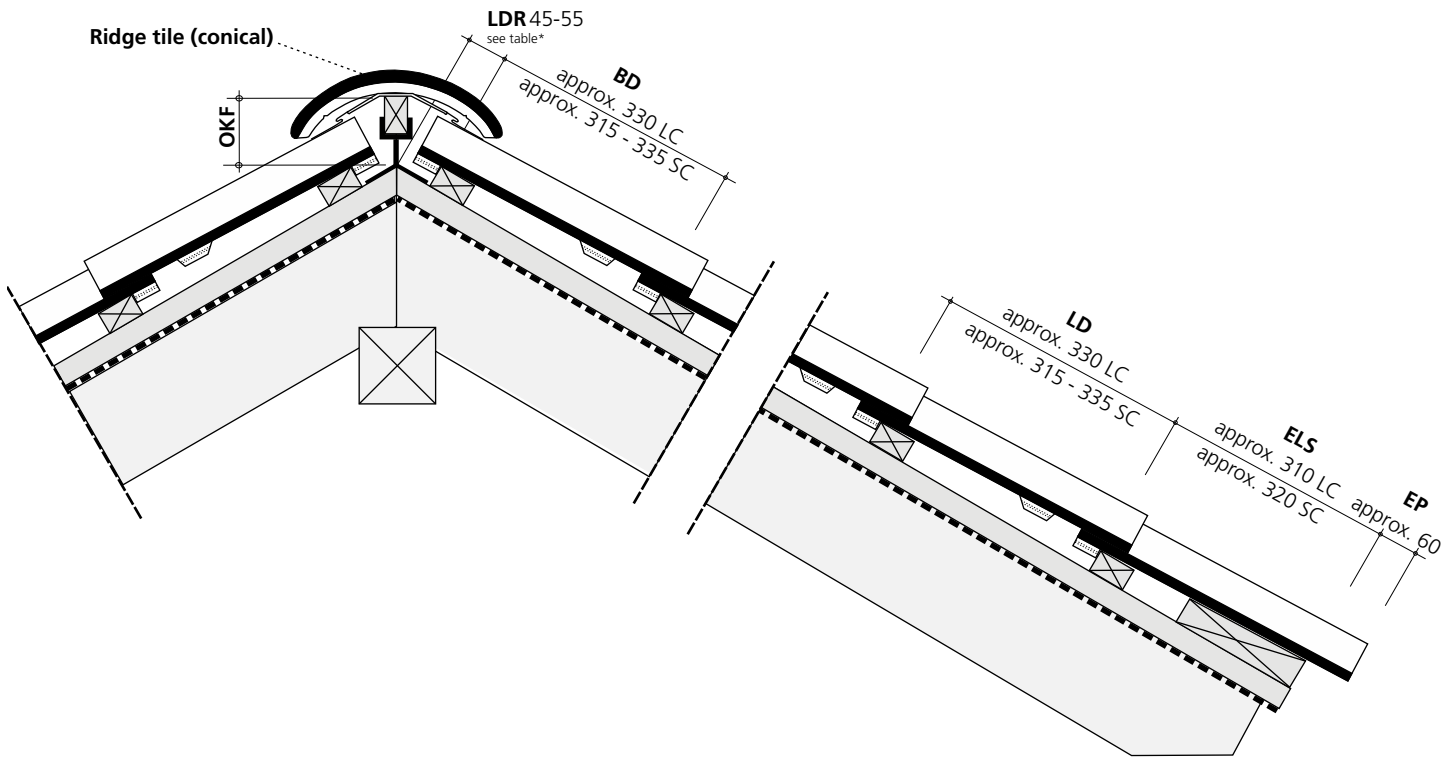


Average covering width

ROWS	01	02	03	04	05	06	07	08	09	10
mm	220	440	660	880	1.100	1.320	1.540	1.760	1.980	2.200
ROWS	11	12	13	14	15	16	17	18	19	20
mm	2.420	2.640	2.860	3.080	3.300	3.520	3.740	3.960	4.180	4.400
ROWS	21	22	23	24	25	26	27	28	29	30
mm	4.620	4.840	5.060	5.280	5.500	5.720	5.940	6.160	6.380	6.600

Tile clips for storm protection

Tile clip no. 409-12 to batter in
Tile clip no. 456-5 to hang onto batten size 30 x 50 mm
Tile clip no. 456-13 for batten size 40 x 60 mm



EVALUATION/SIZING OF THE RAFTER LENGTH eaves overhang (EP) 60 mm:
 Number of rows (according to chart) + lath distance eaves (ELS) + lath distance ridge (LDR)

Covering length

ROWS		01	02	03	04	05	06	07	08	09	10
COVER- ING LENGHT in mm (LD)	KS ≤40°	315	630	945	1.260	1.575	1.890	2.205	2.520	2.835	3.150
	KS >40°	325	650	975	1.300	1.625	1.950	2.275	2.600	2.925	3.250
	KS >45°	335	670	1.005	1.340	1.675	2.010	2.345	2.680	3.015	3.350
	LS	330	660	900	1.320	1.650	1.980	2.310	2.640	2.970	3.300
ROWS		11	12	13	14	15	16	17	18	19	20
COVER- ING LENGHT in mm (LD)	KS ≤40°	3.465	3.780	4.095	4.410	4.725	5.040	5.355	5.670	5.985	6.300
	KS >40°	3.575	3.900	4.225	4.550	4.875	5.200	5.525	5.850	6.175	6.500
	KS >45°	3.685	4.020	4.355	4.690	5.025	5.360	5.695	6.030	6.365	6.700
	LS	3.630	3.960	4.290	4.620	4.950	5.280	5.610	5.940	6.270	6.600
ROWS		21	22	23	24	25	26	27	28	29	30
COVER- ING LENGHT in mm (LD)	KS ≤40°	6.615	6.930	7.245	7.560	7.875	8.190	8.505	8.820	9.135	9.450
	KS >40°	6.825	7.150	7.475	7.800	8.125	8.450	8.775	9.100	9.425	9.750
	KS >45°	7.035	7.370	7.705	8.040	8.375	8.710	9.045	9.380	9.715	10.050
	LS	6.930	7.260	7.590	7.920	8.250	8.580	8.910	9.240	9.570	9.900

All values are determined with a 30 x 50 mm lathing. If other slat cross sections are used, than these must be checked at the construction site beforehand!

The accurate lath spacing has to be determined at the building site with the delivered tiles.

Lath distance ridge (LDR)

Roof pitch	20°	30°	40°	50°
Ridge tile (conical)	55 mm	50 mm	50 mm	45 mm

Distance from idge vertex / Top of ridge lath (OKF):

Roof pitch	20°	30°	40°	50°
Ridge tile (conical)	145 mm	130 mm	120 mm	105 mm

Further available fitting tiles

Term	Covering width/Measuring scale
Double brim tile	292 mm
Ventilation tile, ventilation approx. 60 cm ²	220 mm
Vent pipe/antenna opening tile	220 mm